

Low Voltage Quad Receiver with Integrated Termination Resistor

UT54LVDS032LVT

Features

- >400.0 Mbps (200 MHz) switching rates
- $\pm 340\text{mV}$ nominal differential signaling
- 3.3 V power supply
- TTL compatible outputs
- Cold spare all pins
- Nominal 100Ω Integrated Termination Resistor
- 3.3ns maximum propagation delay
- 0.35ns maximum differential skew
- Operational; total dose irradiation testing to MIL- STD-883 Method 1019
 - Total-dose: 300 krad(Si) and 1Mrad(Si)
 - Latchup immune ($\text{LET} \leq 100 \text{ MeV-cm}^2/\text{mg}$)
- Packaging options:
 - 16-lead flatpack (0.7 grams)
- Standard Microcircuit Drawing 5962-04201
 - QML Q and V compliant part
- Compatible with IEEE 1596.3SCI LVDS
- Compatible with ANSI/TIA/EIA-644-1996 LVDS Standard

Introduction

The UT54LVDS032LVT with internal 100Ω Integrated Termination Resistor Quad Receiver is a quad CMOS differential line receiver designed for applications requiring ultra low power dissipation and high data rates. The device is designed to support data rates in excess of 400.0 Mbps (200 MHz) utilizing Low Voltage Differential Signaling (LVDS) technology.

The UT54LVDS032LVT accepts low voltage (340mV) differential input signals and translates them to 3V TTL output levels. The receiver supports a three-state function that may be used to multiplex outputs. The receiver also supports OPEN, shorted and terminated (100Ω) input fail-safe. Receiver output will be HIGH for all fail-safe conditions.

All pins have Cold Spare buffers. These buffers will be high impedance when V_{DD} is tied to V_{SS} .

An integrated termination resistor will reduce component count and save board space.

UT54LVDS032LVT

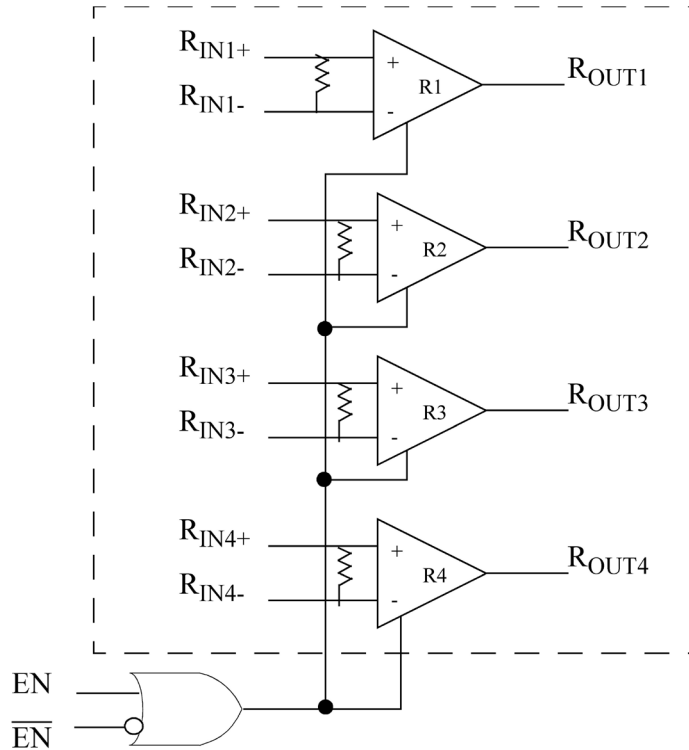


Figure 1. UT54LVDS032LV Quad Driver Block Diagram

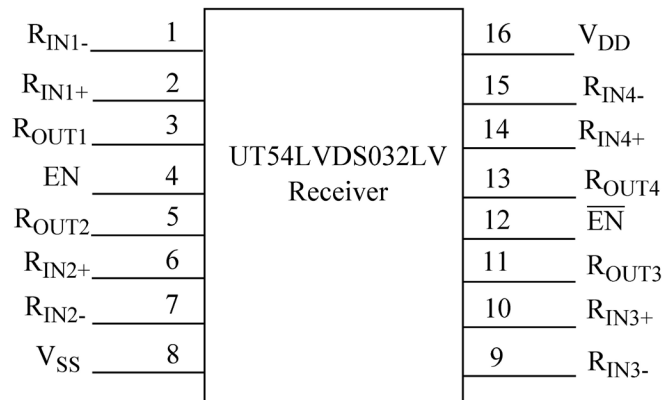


Figure 2. UT54LVDS032LVT Pinout

UT54LVDS032LVT

Truth Table

Enables		Input	Output
EN	$\overline{\text{EN}}$	$R_{\text{IN}+} - R_{\text{IN}-}$	R_{OUT}
L	H	X	Z
All other combinations of ENABLE inputs		$V_{\text{ID}} \geq 0.1\text{V}$	H
		$V_{\text{ID}} \leq -0.1\text{V}$	L
		Full Fail-safe OPEN/SHORT or Terminated	H

Pin Description

Pin No.	Name	Description
2, 6, 10, 14	$R_{\text{IN}+}$	Non-inverting receiver input pin
1, 7, 9, 15	$R_{\text{IN}-}$	Inverting receiver input pin
3, 5, 11, 13	R_{OUT}	Receiver output pin
4	EN	Active high enable pin, OR-ed with $\overline{\text{EN}}$
12	$\overline{\text{EN}}$	Active low enable pin, OR-ed with EN
16	V_{DD}	Power supply pin, $+3.3 \pm 0.3\text{V}$
8	V_{SS}	Ground pin

Applications Information

The UT54LVDS032LVT receiver's intended use is primarily in an uncomplicated point-to-point configuration as is shown in Figure 3. This configuration provides a clean signaling environment for quick edge rates of the drivers. The receiver is connected to the driver through a balanced media which may be a standard twisted pair cable, a parallel pair cable, or simply PCB traces. Typically, the characteristic impedance of the media is in the range of 100Ω. An integrated termination resistor of 100Ω is used to match the media. The termination resistor converts the current sourced by the driver into voltages that are detected by the receiver. Other configurations are possible such as a multi-receiver configuration, but the effects of a mid-stream connector(s), cable stub(s), and other impedance discontinuities, as well as ground shifting, noise margin limits, and total termination loading must be taken into account.

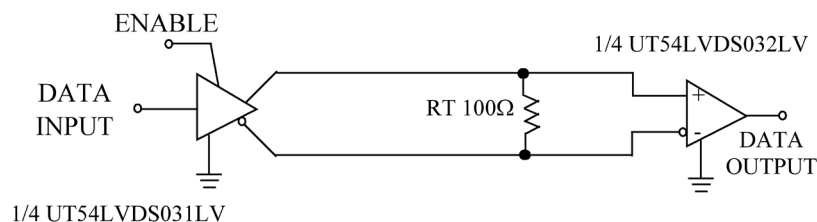


Figure 3. Point-to-Point Application

UT54LVDS032LVT

The UT54LVDS032LVT differential line receiver is capable of detecting signals as low as 100mV, over a $\pm 1V$ common-mode range centered around +1.2V. This is related to the driver offset voltage which is typically +1.2V. The driven signal is centered around this voltage and may shift $\pm 1V$ around this center point. The $\pm 1V$ shifting may be the result of a ground potential difference between the driver's ground reference and the receiver's ground reference, the common-mode effects of coupled noise or a combination of the two. Both receiver input pins should honor their specified operating input voltage range of 0V to +2.4V (measured from each pin to ground).

The integrated termination resistor is a nominal 100 Ω when V_{DD} is 3.0 to 3.6V. In cold spare mode, the integrated termination resistor is 140 Ω .

Receiver Fail-Safe

The UT54LVDS032LVT receiver is a high gain, high speed device that amplifies a small differential signal (20mV) to TTL logic levels. Due to the high gain and tight threshold of the receiver, care should be taken to prevent noise from appearing as a valid signal.

The receiver's internal fail-safe circuitry is designed to source/sink a small amount of current, providing fail-safe protection (a stable known state of HIGH output voltage) for floating, terminated or shorted receiver inputs.

- 1) Open Input Pins.** The UT54LVDS032LVT is a quad receiver device, and if an application requires only 1, 2 or 3 receivers, the unused channel(s) inputs should be left OPEN. Do not tie unused receiver inputs to ground or any other voltages. The input is biased by internal high value pull up and pull down resistors to set the output to a HIGH state. This internal circuitry will guarantee a HIGH, stable output state for open inputs.
- 2) Terminated Input.** If the driver is disconnected (cable unplugged), or if the driver is in a three-state or power-off condition, the receiver output will again be in a HIGH state, even with the end of cable 100 Ω integrated termination resistor across the input pins. The unplugged cable can become a floating antenna which can pick up noise. If the cable picks up more than 10mV of differential noise, the receiver may see the noise as a valid signal and switch. To insure that any noise is seen as common-mode and not differential, a balanced interconnect should be used. Twisted pair cable offers better balance than flat ribbon cable.
- 3) Shorted Inputs.** If a fault condition occurs that shorts the receiver inputs together, thus resulting in a 0V differential input voltage, the receiver output remains in a HIGH state. Shorted input fail-safe is not supported across the common-mode range of the device (V_{SS} to 2.4V). It is only supported with inputs shorted and no external common-mode voltage applied.

Operational Environment

Parameter	Limit	Units
Total Ionizing Dose (TID)	1.0E6	rad(Si)
Single Event Latchup (SEL)	≤ 100	MeV-cm ² /mg
Neutron Fluence ¹	1.0E13	n/cm ²

Notes:

- 1) Guaranteed but not tested.

UT54LVDS032LVT

Absolute Maximum Ratings ¹

(Referenced to V_{SS})

Symbol	Parameter	Limits
V _{DD}	DC supply voltage	-0.3 to 4.0V
V _{I/O}	Voltage on any pin during operation	-0.3 to (V _{DD} + 0.3V)
	Voltage on any pin during cold spare	-.3 to 4.0V
ESD _{HBM}	HBM ESD Rating ²	1000V
T _{STG}	Storage temperature	-65 to +150°C
P _D	Maximum power dissipation	1.25 W
T _J	Maximum junction temperature ³	+150°C
Θ _{JC}	Thermal resistance, junction-to-case ⁴	10°C/W
I _I	DC input current	±10mA

Notes:

- 1) Stresses outside the listed absolute maximum ratings may cause permanent damage to the device. This is a stress rating only, and functional operation of the device at these or any other conditions beyond limits indicated in the operational sections of this specification is not recommended. Exposure to absolute maximum rating conditions for extended periods may affect device reliability and performance.
- 2) HBM ESD Rating: The lesser of SMD 5962-04201 Device Types 01: 1200V; and 02: 1000V.
- 3) Maximum junction temperature may be increased to +175°C during burn-in and life test.
- 4) Test per MIL-STD-883, Method 1012.

Recommended Operating Conditions

Symbol	Parameter	Limits
V _{DD}	Positive supply voltage	3.0 to 3.6V
T _C	Case temperature range	-55 to +125°C
V _{IN}	DC input voltage, receiver inputs	2.4V
	DC input voltage, logic inputs	0 to V _{DD} for EN, $\overline{\text{EN}}$

Low Voltage Quad Receiver with Integrated Termination Resistor

UT54LVDS032LVT

DC Electrical Characteristics *1

($V_{DD} = 3.3V \pm 0.3V$; $-55^{\circ}C < T_C < +125^{\circ}C$); Unless otherwise noted, T_C is per the temperature range ordered

Symbol	Parameter	Condition	MIN	MAX	Unit
V_{IH}	High-level input voltage	(TTL)	2.0		V
V_{IL}	Low-level input voltage	(TTL)		0.8	V
V_{OL}	Low-level output voltage	$I_{OL} = 2mA, V_{DD} = 3.0V$		0.25	V
V_{OH}	High-level output voltage	$I_{OH} = -0.4mA, V_{DD} = 3.0V$	2.7		V
I_{IN}	Logic input leakage current	Enables = $EN/\overline{EN} = 3.6V$, $V_{DD} = 3.6$	-10	+10	μA
I_I	Receiver input Current	$V_{IN} = 2.4V, V_{DD} = 3.6V$	-15	+15	μA
I_{CS}	Cold Spare Leakage Current	$V_{IN}=3.6V, V_{DD}=V_{SS}$	-20	+20	μA
V_{TH}^4	Differential Input High Threshold	$V_{CM} = +1.2V$		+100	mV
V_{TL}^4	Differential Input Low Threshold	$V_{CM} = +1.2V$	-100		mV
V_{CMR}^4	Common Mode Voltage Range	$V_{ID} = 200mV$ peak to peak	0.1	2.3	V
I_{OZ}	Output Three-State Current	Disabled, $V_{OUT} = 0 V$ or V_{DD}	-10	+10	μA
V_{CL}	Input clamp voltage	$I_{CL} = +18mA$	-1.5		V
$I_{OS}^{2,3}$	Output Short Circuit Current	Enabled, $V_{OUT} = 0 V^2$	-15	-130	mA
I_{CC}	Supply current, receivers enabled	$EN, \overline{EN} = V_{DD}$ or V_{SS} Inputs Open		15	mA
I_{CCZ}	Supply current, receivers disabled	$EN = V_{SS}, \overline{EN} = V_{DD}$ Inputs Open		4	mA
R_{TERM}	Termination Resistor	$V_{DD} = 3.0V$ to $3.6V$	83	114	Ω
		$V_{DD} = 0.0V$	125	154	Ω

Notes:

* For devices procured with a total ionizing dose tolerance guarantee, the post-irradiation performance is guaranteed at $25^{\circ}C$ Per MIL-STD-883 Method 1019, Condition A up to the maximum TID level procured.

- 1) Current into device pins is defined as positive. Current out of device pins is defined as negative. All voltages are referenced to ground.
- 2) Output short circuit current (I_{OS}) is specified as magnitude only, minus sign indicates direction only. Only one output should be shorted at a time, for a maximum duration of one second.
- 3) Guaranteed by characterization.
- 4) Tested functionally.

UT54LVDS032LVT

AC Switching Characteristics*1, 2, 3

($V_{DD} = +3.3V \pm 0.3V$, $T_c = -55^\circ C$ to $+125^\circ C$); Unless otherwise noted, T_c is per the temperature range ordered

Symbol	Parameter	MIN	MAX	Unit
t_{PHLD}	Differential Propagation Delay High to Low (figures 4 and 5)	0.65	2.15	ns
t_{PLHD}	Differential Propagation Delay Low to High (figures 4 and 5)	0.65	2.15	ns
t_{SKD}	Differential Skew ($t_{PHLD} - t_{PLHD}$) (figures 4 and 5)	0	0.35	ns
t_{SK1}^1	Channel-to-Channel Skew (figures 4 and 5)	0	0.5	ns
t_{SK2}^5	Chip-to-Chip Skew (figures 4 and 5)		3.0	ns
t_{TLH}	Rise Time (figures 4 and 5)		1.2	ns
t_{THL}	Fall Time (figures 4 and 5)		1.2	ns
t_{PHZ}	Disable Time High to Z (figure 6)		12	ns
t_{PLZ}	Disable Time Low to Z (figure 6)		12	ns
t_{PZH}	Enable Time Z to High (figure 6)		12	ns
t_{PZL}	Enable Time Z to Low (figure 6)		12	ns

Notes:

* For devices procured with a total ionizing dose tolerance guarantee, the post-irradiation performance is guaranteed at 25°C per MIL-STD-883 Method 1019, Condition A up to the maximum TID level procured.

- 1) Channel-to-Channel Skew is defined as the difference between the propagation delay of the channel and the other channels in the same chip with an event on the inputs.
- 2) Generator waveform for all tests unless otherwise specified: $f = 1 \text{ MHz}$, $Z_0 = 50\Omega$, t_r and t_f (0% - 100%) $\leq 1\text{ns}$ for R_{IN} and t_r and $t_f \leq 1\text{ns}$ for EN or \overline{EN} .
- 3) C_L includes probe and jig capacitance.
- 4) Guaranteed by characterization.
- 5) Chip to Chip Skew is defined as the difference between the minimum and maximum specified differential propagation delays.

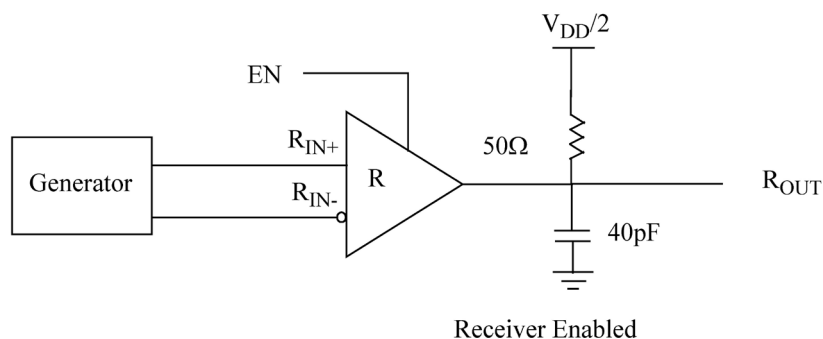


Figure 4. Receiver Propagation Delay and Transition Time Test Circuit or Equivalent Circuit

UT54LVDS032LVT

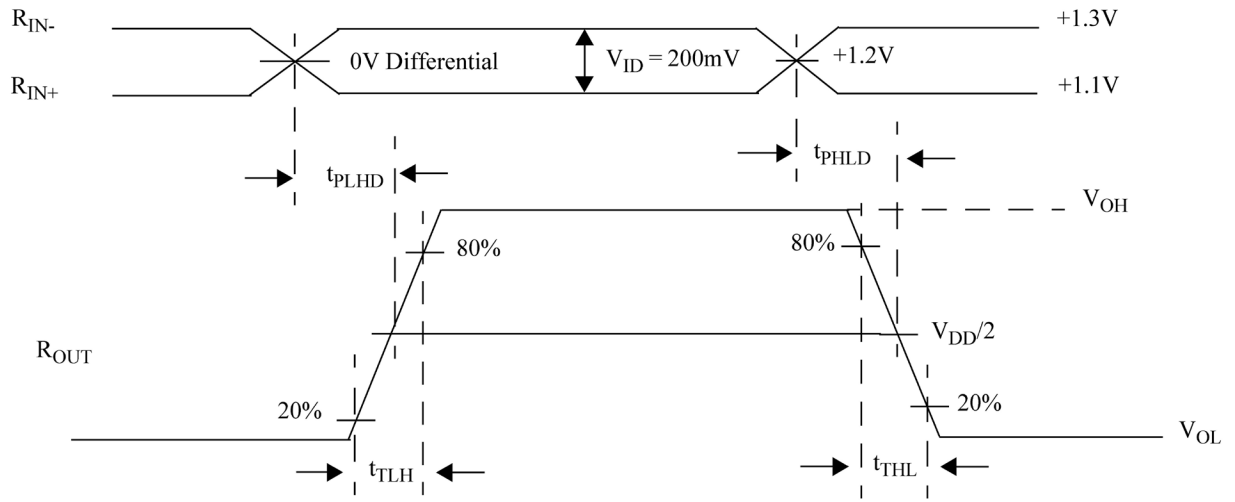


Figure 5. Receiver Propagation Delay and Transition Time Waveforms

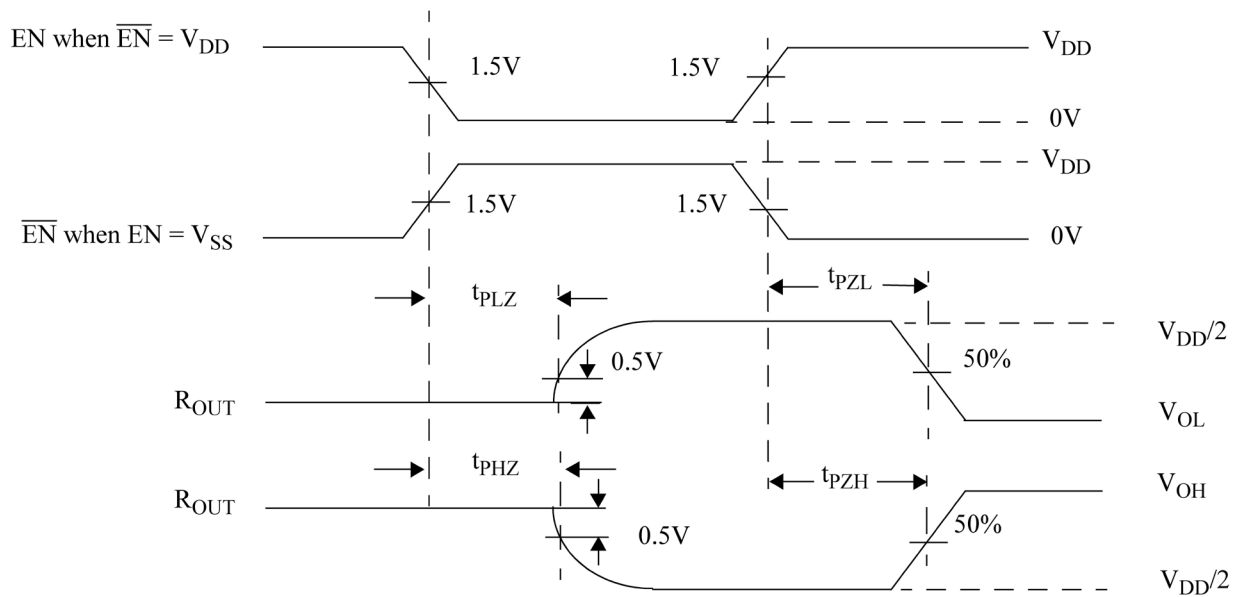


Figure 6. Receiver Three-State Delay Waveform

UT54LVDS032LVT

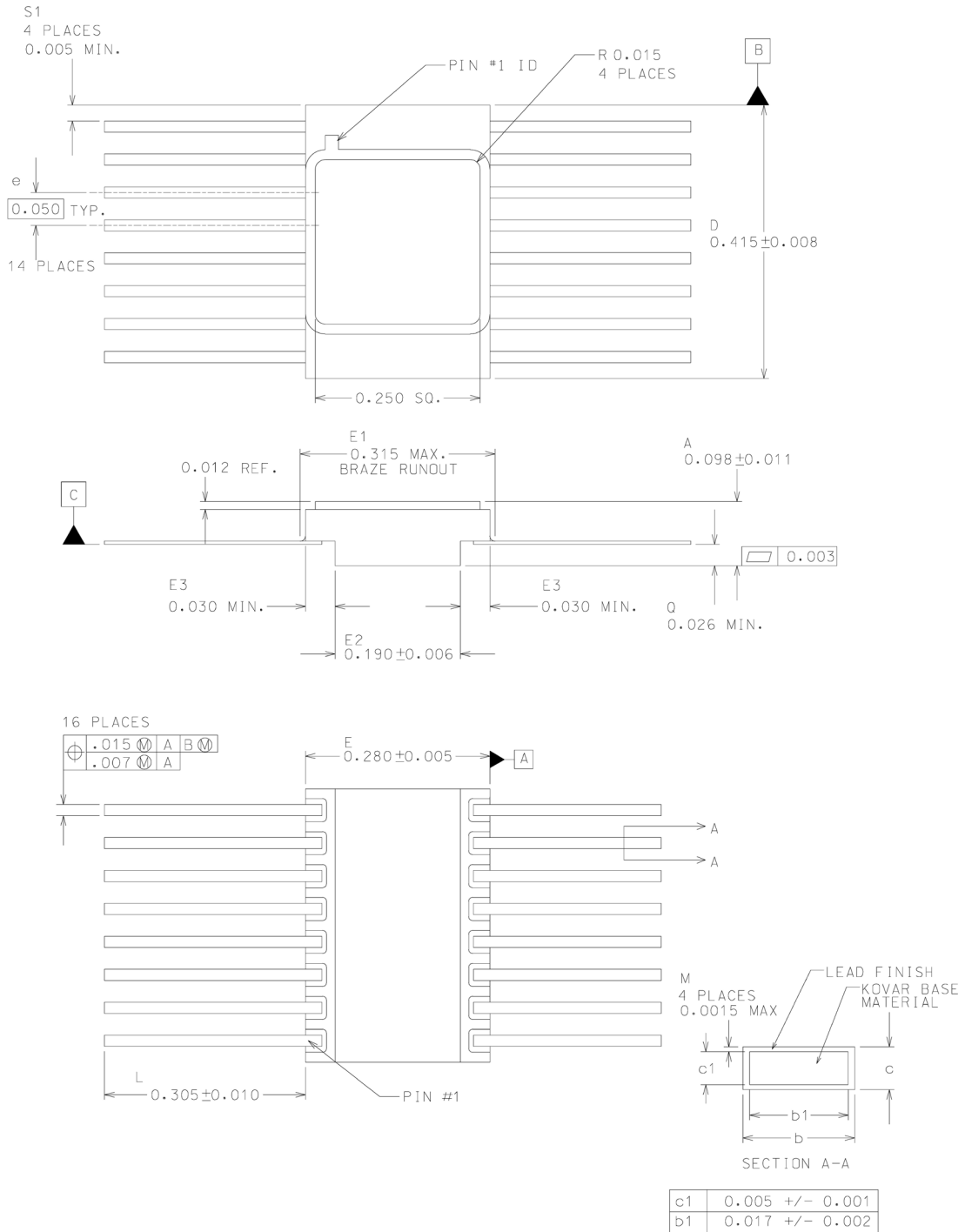


Figure 7. 16-pin Ceramic Flatpack

Notes:

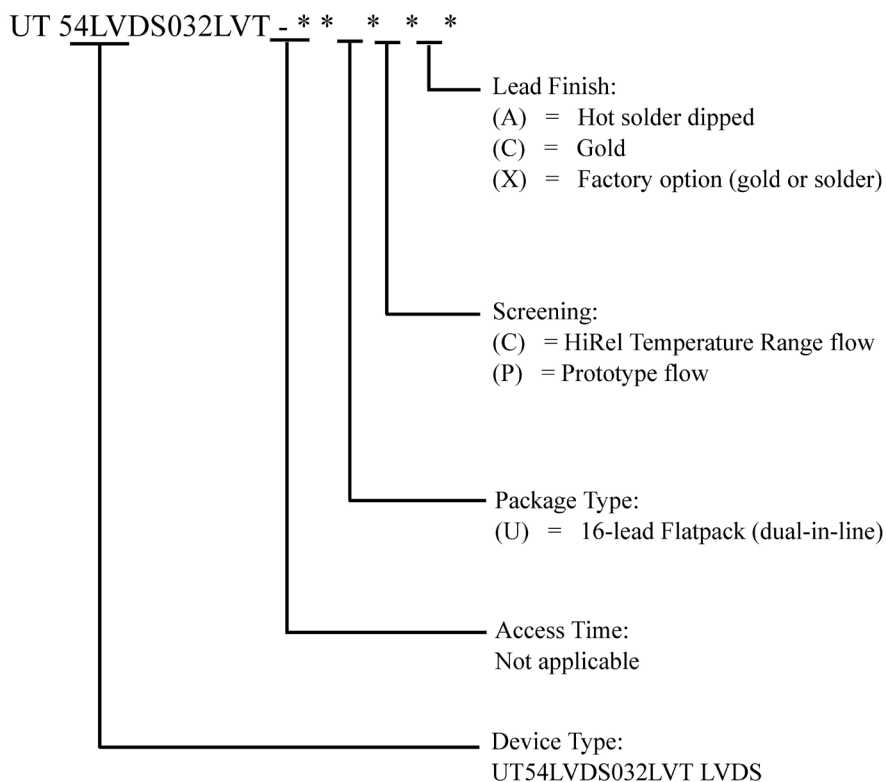
- 1) All exposed metalized areas must be gold plated over electrically plated nickel per MIL-PRF-38535.
- 2) The lid is electrically connected to VSS.
- 3) Lead finishes are in accordance with MIL-PRF-38535
- 4) Dimensions symbology is in accordance with MIL-STD-1835.
- 5) Lead position and coplanarity are not measured.

Low Voltage Quad Receiver with Integrated Termination Resistor

UT54LVDS032LVT

Ordering Information

UT54LVDS032LVT Quad Receiver:

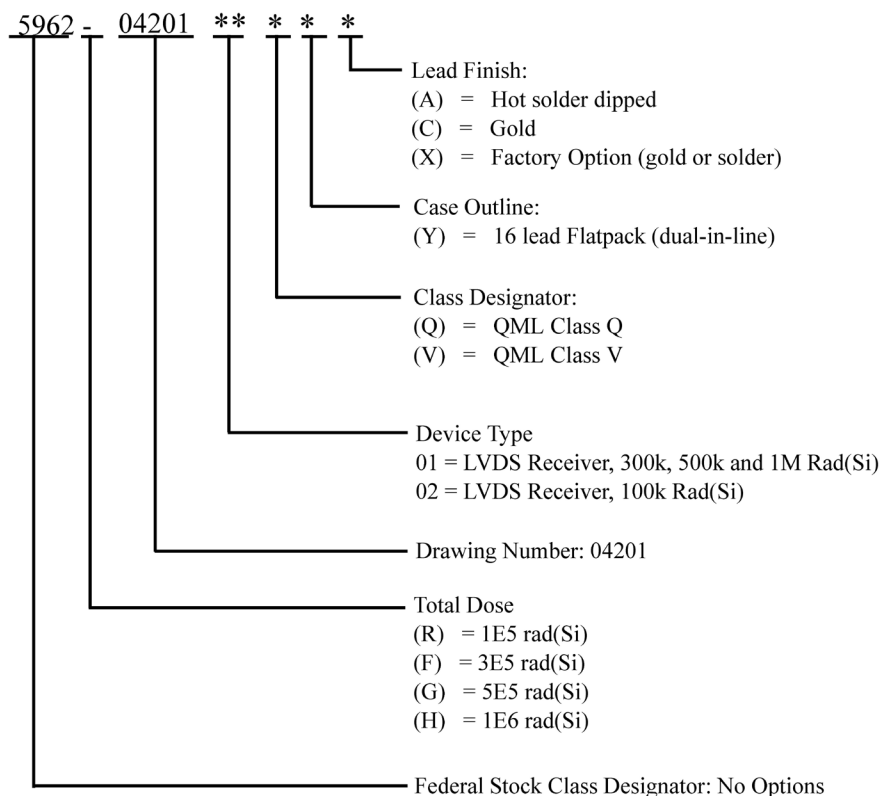


Notes:

- 1) Lead finish (A,C, or X) must be specified.
- 2) If an "X" is specified when ordering, then the part marking will match the lead finish and will be either "A" (solder) or "C" (gold).
- 3) Prototype flow per CAES Manufacturing Flows Document. Tested at 25°C only. Lead finish is GOLD ONLY. Radiation neither tested nor guaranteed.
- 4) HiRel Temperature Range flow per CAES Manufacturing Flows Document. Devices are tested at -55°C, room temp, and 125°C. Radiation neither tested nor guaranteed.

UT54LVDS032LVT

UT54LVDS032LVT Quad Receiver: SMD



Notes:

- 1) Lead finish (A,C, or X) must be specified.
- 2) If an "X" is specified when ordering, part marking will match the lead finish and will be either "A" (solder) or "C" (gold).
- 3) Total dose radiation must be specified when ordering. QML Q and QML V not available without radiation hardening.

Datasheet Revision History

Rev	Revision Date	Description of Change	Author
1.0.0	9-12	Last official release	MM
1.0.1	9-17-15	Page 1, added package weight. Page 7, edits to TPHLD and TPLHD Min and Max numbers, updates to figures and added Applied new CAES Data Sheet template to the document.	MM
1.0.2	8-16-21	Added HBM ESD Rating: AMR Table, p.5	BM
1.0.3	9-22-21	SEL Limit sign, p.1, 4; Typo, p.4	BM

UT54LVDS032LVT

Datasheet Definitions

	DEFINITION
Advanced Datasheet	CAES reserves the right to make changes to any products and services described herein at any time without notice. The product is still in the development stage and the datasheet is subject to change . Specifications can be TBD and the part package and pinout are not final .
Preliminary Datasheet	CAES reserves the right to make changes to any products and services described herein at any time without notice. The product is in the characterization stage and prototypes are available.
Datasheet	Product is in production and any changes to the product and services described herein will follow a formal customer notification process for form, fit or function changes.

The following United States (U.S.) Department of Commerce statement shall be applicable if these commodities, technology, or software are exported from the U.S.: These commodities, technology, or software were exported from the United States in accordance with the Export Administration Regulations. Diversion contrary to U.S. law is prohibited.

Cobham Colorado Springs Inc. d/b/a Cobham Advanced Electronic Solutions (CAES) reserves the right to make changes to any products and services described herein at any time without notice. Consult an authorized sales representative to verify that the information in this data sheet is current before using this product. The company does not assume any responsibility or liability arising out of the application or use of any product or service described herein, except as expressly agreed to in writing; nor does the purchase, lease, or use of a product or service convey a license under any patent rights, copyrights, trademark rights, or any other of the intellectual rights of the company or of third parties.